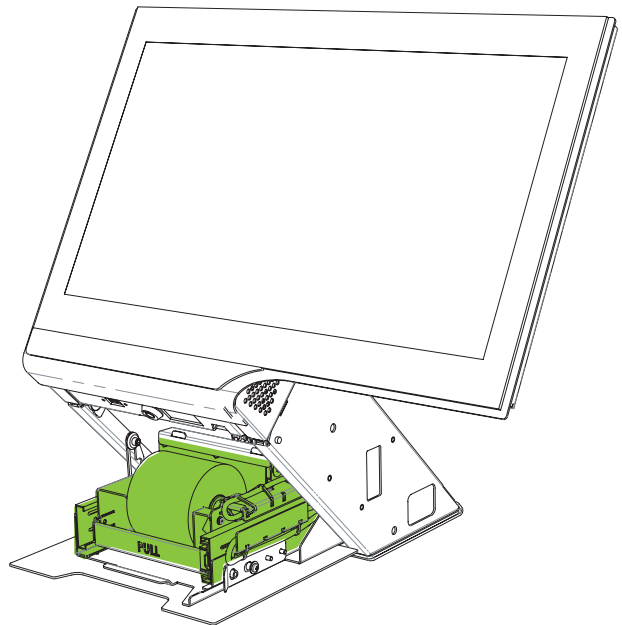
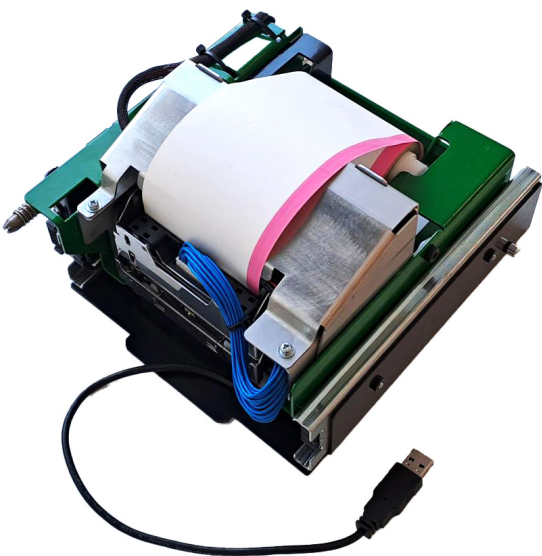


## PRINTER CHANGE INSTRUCTIONS

### 077 FIRELINE PRINTER RETROFIT KIT

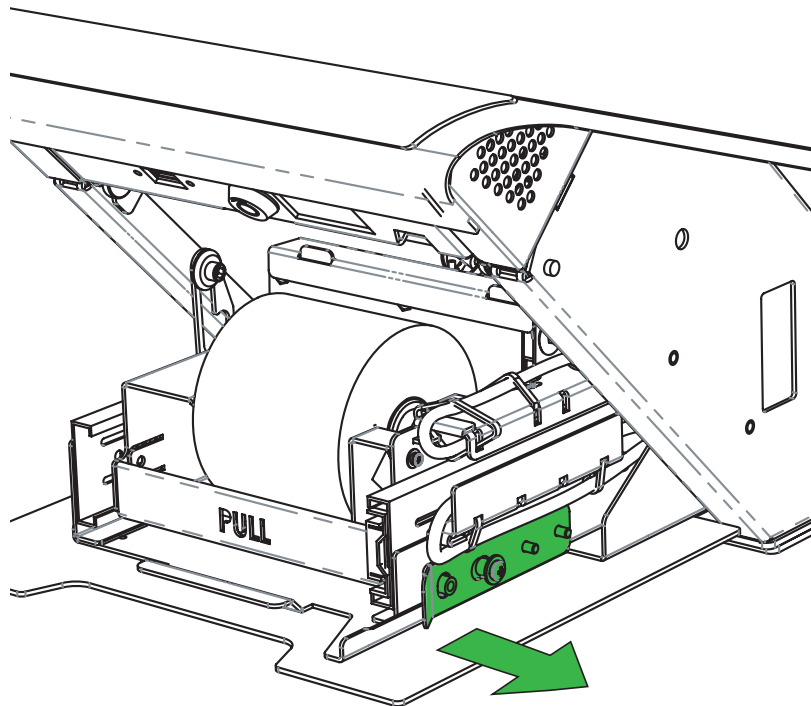
#### Parts

- 07701-SPRT003 - SEIKO PRINTER WITH SLIDE ASSEMBLY
- No tools required



### REMOVING OLD PRINTER

- Lift green tab over locking pin
- Pull and lift printer over flange on side
- Unplug USB
- Remove old printer kit



### INSTALLING NEW PRINTER

- Plug in USB cable for printer
- Drop in printer kit and slide into position
- Green tab on side will capture locking pin
- Make sure to push in pull tab all the way

