

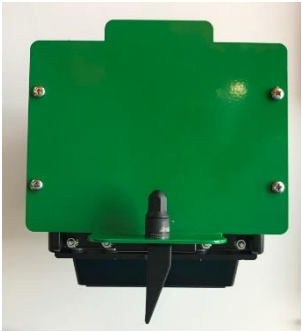
NEO PRODUCTS - WORK INSTRUCTION

BETMAKERS TSST SERVICE

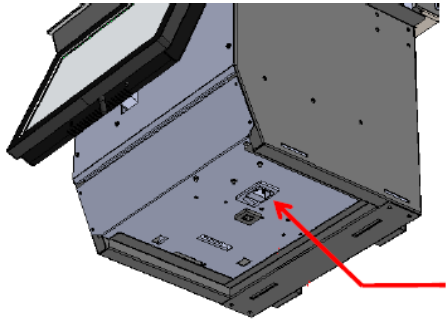

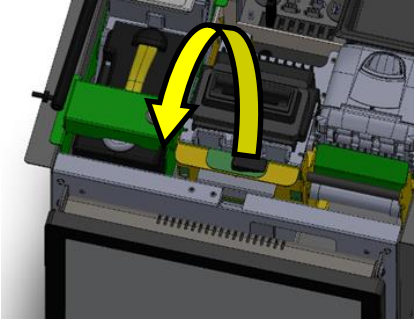
NUMBER	ISSUE	CHANGE	DATE	ISSUED BY
15201-SERV013	A	Initial Production Release	30-09-22	LD
DESCRIPTION	B	Filename updated (ECN 6477)	13-10-23	LD
TSST SPARE BETSLIP READ KIT - FREE ISSUE MSR	C			
	D			
	E			

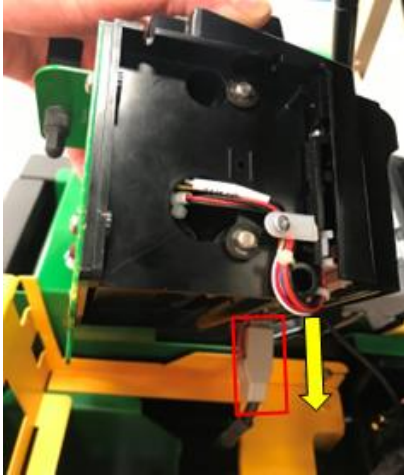
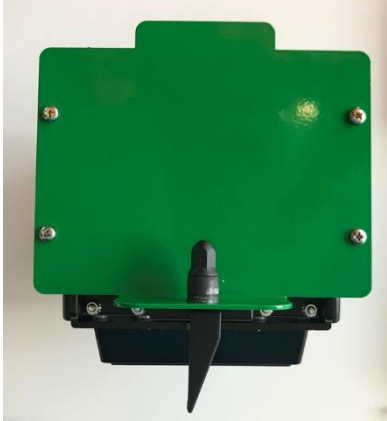
**ITEMS NEEDED TO PERFORM THIS TASK
HAND TOOLS ONLY**


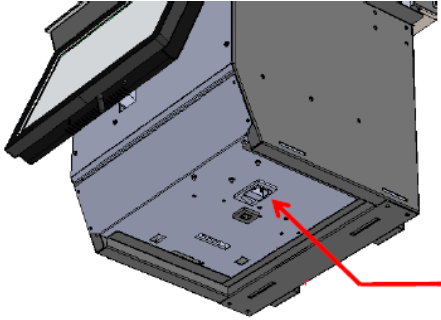
STANLEY KNIFE



ITEM #	STOCK CODE	DESCRIPTION	QTY
1	15201-FI001	MSR READER	1.00
2	15201-FM065DF	BETSLIP READER MOUNT PLATE	1.00
3	15201-IM002AB	MSR BEAK COVER	1.00
4	MHMIS-000136	LATCH SWELL ACTION SERIES	1.00
5	MHTAP-DS0012	3M VHB D/SIDED 12X2.3MM 33M ROLL	0.10
6	SCSPL-000019	SCREW TAPTITE 6-32x3/8 XR PAN	4.00
7			
8			
9			
10			
11			
12			
13			
14			

STEP	IMAGE	DESCRIPTION
1		<p>Prior to starting the TSST SPARE CUSTOMER SCREEN KIT, switch the plug from I → O on the underside of the Kiosk.</p> <p>Remove the Power Lead & Network Cable.</p>
2		<p>Unlock and open the Top Door by pushing the Button on the RH side of the Top Door.</p> <p>This provides access to the printer paper.</p>
3		<p>Undo the Latch Swell to disengage the green tray.</p>

<p>4</p>		<p>Remove the MSR Module from the peripheral tray.</p>
<p>STEP</p>	<p>IMAGE</p>	<p>DESCRIPTION</p>
<p>5</p>		<p>Tilt the MSR Module to access the Power connector located behind the MSR Module.</p> <p>Unplug the power connector.</p>
<p>6</p>		<p>Remove TSST SPARE BETSLIP READ KIT from packaging.</p> <p>Discard packaging.</p> <p>To re-install the replacement MSR Module, follow Steps 2 to 6 in reverse.</p>

7		<p>Close the Top Door by pushing down waiting for a “click” to indicate locked position.</p>
8		<p>Install the Power Lead & Network Cable to the underside of the Kiosk.</p> <p>Switch the plug from O → I.</p>